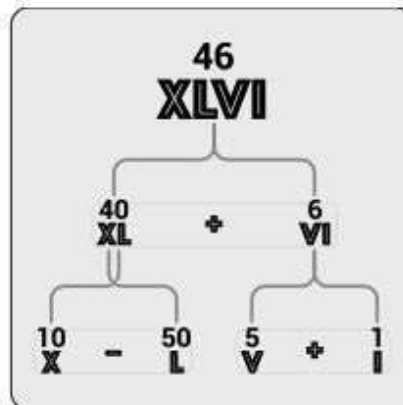


I = 1	<i>unus</i>
V = 5	<i>quinque</i>
X = 10	<i>decem</i>
L = 50	<i>quingenta</i>
C = 100	<i>centum</i>
D = 500	<i>quingenti</i>
M = 1000	<i>mille</i>



- I** Each Roman Numeral symbol has a decimal value you need to memorize.
- II** You start with zero and add each symbol's value to get a total.
- III** Read each symbol left-to-right, one at a time, adding its value to the total, but...
- IV** ...if the value of the current symbol is less than the symbol that follows it, subtract the current symbol's value from the next symbol's value and add that result to the total.

The number 4 is an example of this rule.

Watch for it's and it's too! (see rule)

1950	MCML	1970	MCMLXX	1990	MCMXC	2010	MMX	2030	MMXXX
1951	MCMLI	1971	MCMLXXI	1991	MCMXCI	2011	MMXI	2031	MMXXXI
1952	MCMLII	1972	MCMLXXII	1992	MCMXCII	2012	MMXII	2032	MMXXXII
1953	MCMLIII	1973	MCMLXXIII	1993	MCMXCIII	2013	MMXIII	2033	MMXXXIII
1954	MCMLIV	1974	MCMLXXIV	1994	MCMXCIV	2014	MMXIV	2034	MMXXXIV
1955	MCMLV	1975	MCMLXXV	1995	MCMXCV	2015	MMXV	2035	MMXXXV
1956	MCMLVI	1976	MCMLXXVI	1996	MCMXCVI	2016	MMXVI	2036	MMXXXVI
1957	MCMLVII	1977	MCMLXXVII	1997	MCMXCVII	2017	MMXVII	2037	MMXXXVII
1958	MCMLVIII	1978	MCMLXXVIII	1998	MCMXCVIII	2018	MMXVIII	2038	MMXXXVIII
1959	MCMLIX	1979	MCMLXXIX	1999	MCMXCIX	2019	MMXIX	2039	MMXXXIX
1960	MCMLX	1980	MCMLXXX	2000	MM	2020	MMXX	2040	MMXL
1961	MCMLXI	1981	MCMLXXXI	2001	MMI	2021	MMXXI	2041	MMXLI
1962	MCMLXII	1982	MCMLXXXII	2002	MMII	2022	MMXXII	2042	MMXLII
1963	MCMLXIII	1983	MCMLXXXIII	2003	MMIII	2023	MMXXIII	2043	MMXLIII
1964	MCMLXIV	1984	MCMLXXXIV	2004	MMIV	2024	MMXXIV	2044	MMXLIV
1965	MCMLXV	1985	MCMLXXXV	2005	MMV	2025	MMXXV	2045	MMXLV
1966	MCMLXVI	1986	MCMLXXXVI	2006	MMVI	2026	MMXXVI	2046	MMXLVI
1967	MCMLXVII	1987	MCMLXXXVII	2007	MMVII	2027	MMXXVII	2047	MMXLVII
1968	MCMLXVIII	1988	MCMLXXXVIII	2008	MMVIII	2028	MMXXVIII	2048	MMXLVIII
1969	MCMLXIX	1989	MCMLXXXIX	2009	MMIX	2029	MMXXIX	2049	MMXLIX